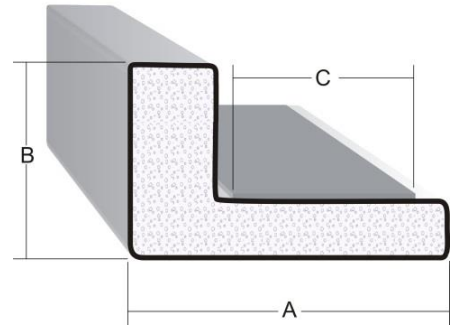


L-shape profiles have a polyurethan foam core which is covered with a conductive copper-nickel (CuNi) coated fabric. The gaskets are fitted with a non-conductive adhesive tape as standard. The standard portfolio includes a range of sizes. Customized dimensions can be supplied at low cost. The material can also be cut to the required length or modified to individual needs. Fabric over foam gaskets are also available in a halogen free version.

- Excellent shielding effectiveness
- Polyurethan foam core; standard hardness: 45 kg/m³
- Optionally available with adhesive tape with removal aid (WRL)
- Optionally available with multiple parts on carrier sheet (STP)
- Other dimensions on request
- Also available in a halogen free version



PRODUCT SPECIFICATIONS

PROPERTY	VALUE / TOLERANCE	TEST METHOD
Basic material	Polyurethan foam core	-
Fabric	Conductive fabric (CuNi coated)	-
Width (A)	5,6 mm	-
Thickness (B)	3,0 mm	-
Standard length (L)	2.000 mm	-
Hardness value of foam	32, 45, 70, 150 kg/m ³	-
Surface resistance	<0,03 Ω/□	-
Shielding effectiveness	80 – 90 dB @ 100 MHz - 18 GHz	ASTM D-4935-89
Adhesive tape	Non-conductive, conductive	-
Width of adhesive tape (C)	3,0 mm	-
Flammability rating	V-0	UL 94
Temperature range	-25 – 80 °C	-
Storage temperature	20 °C	-
Storage humidity	App. 50% rH; non-condensing	-
Shelf life	1 year	-
Guarantee	6 months	-

BUILDING AN ITEM NUMBER

DLS-WxT XX-YY VO-L-ZZZZ

L-Shape Profile

xx	Width (mm)
----	------------

xx	Thickness (mm)
----	----------------

NI	Fabric, CuNI coated
----	---------------------

NIHF	Fabric, CuNI coated, halogen free
------	-----------------------------------

Nxx	Non-conductive adhesive (mm)
-----	------------------------------

NSxx	Non-conductive adhesive (mm) halogenfree
------	--

Cxx	Conductive aluminium adhesive (mm)
-----	------------------------------------

CTxx	Conductive textile adhesive (mm)
------	----------------------------------

XX	No adhesive tape
----	------------------

Flammability rating

xxxx	Length (mm)
------	-------------

Rxx	On roll (m)
-----	-------------

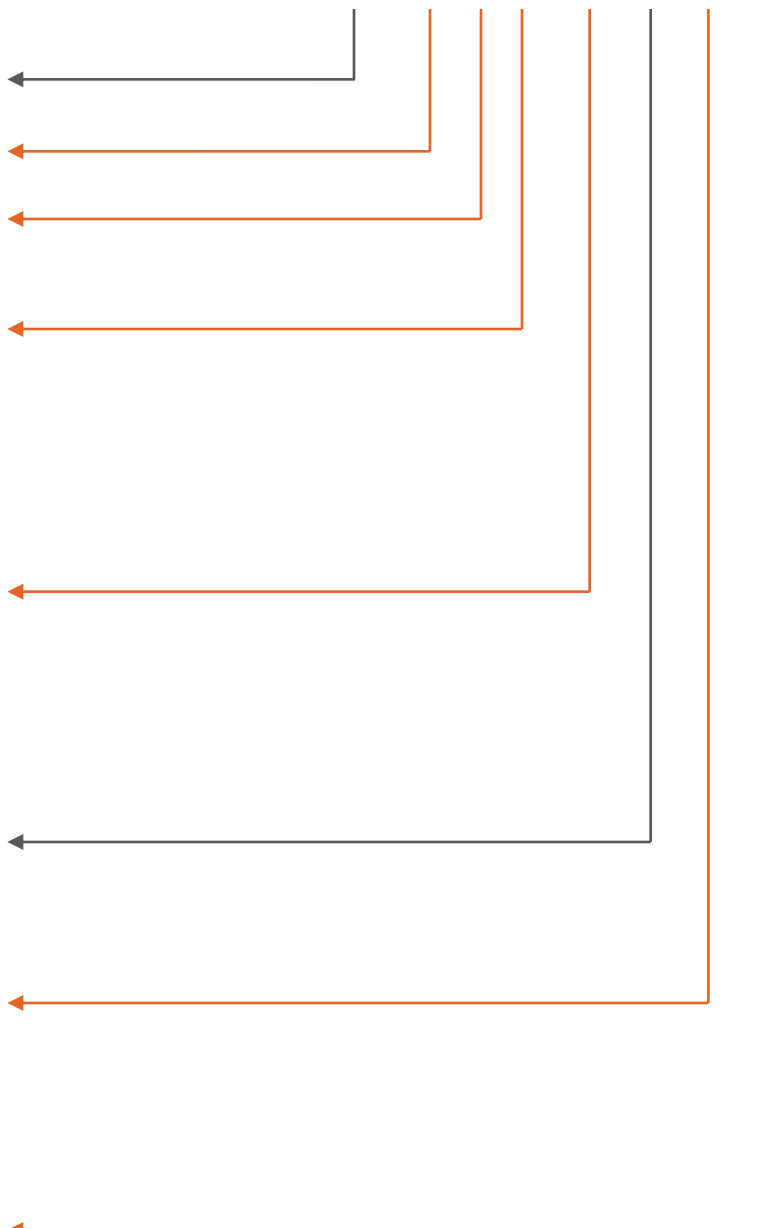
STPxxx	Sheet Type Package (mm)
--------	-------------------------

WRLxxx	Wide Release Liner (mm)
--------	-------------------------

PU32	PU foam 32 kg/m ³
------	------------------------------

PU70	PU foam 70 kg/m ³
------	------------------------------

PU150	PU foam 150 kg/m ³
-------	-------------------------------



Standard options

EXAMPLE

DLS-5,6x3NI-N3V0-175-PU70

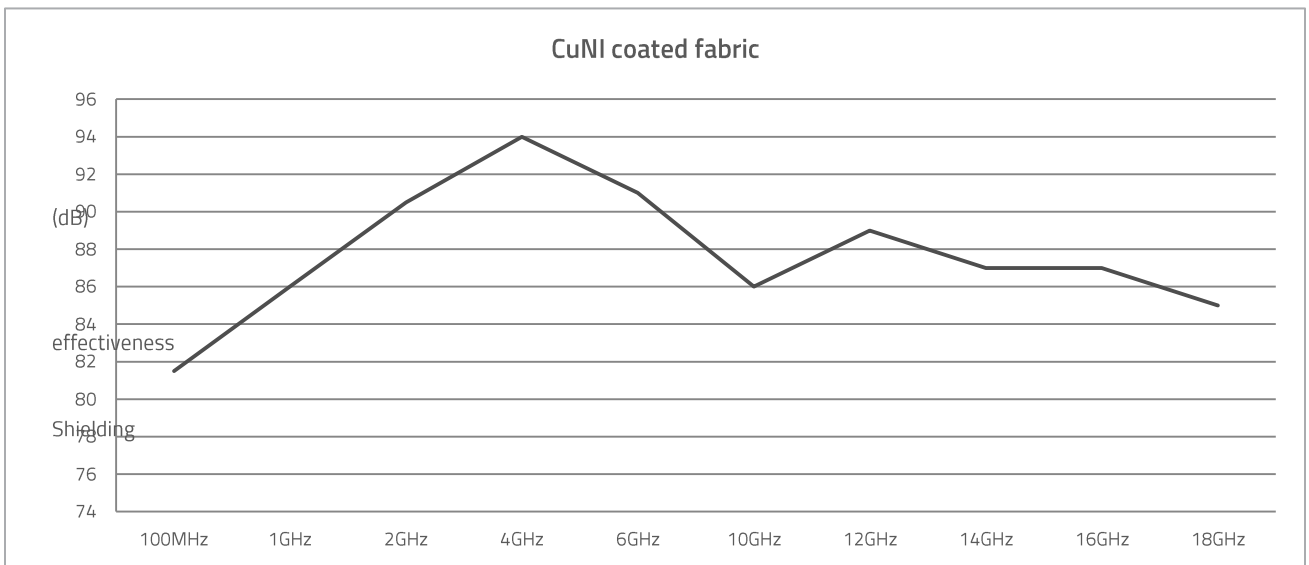
L-shape profile; width: 5,6 mm; thickness: 3,0 mm; fabric, nickel coated; non-conductive adhesive: 3,0 mm; UL 94 V-0; length: 175 mm; PU foam 70 kg/m³

TOLERANCES

WIDTH AND HEIGHT (mm)	TOLERANCE (mm)
0,5 – 6,3	± 0,5
6,4 – 10,0	± 0,7
10,1 – 16,0	± 0,8
16,1 – 25,0	± 1,0
25,1 – 40,0	± 1,3
40,1 – 63,0	± 1,6

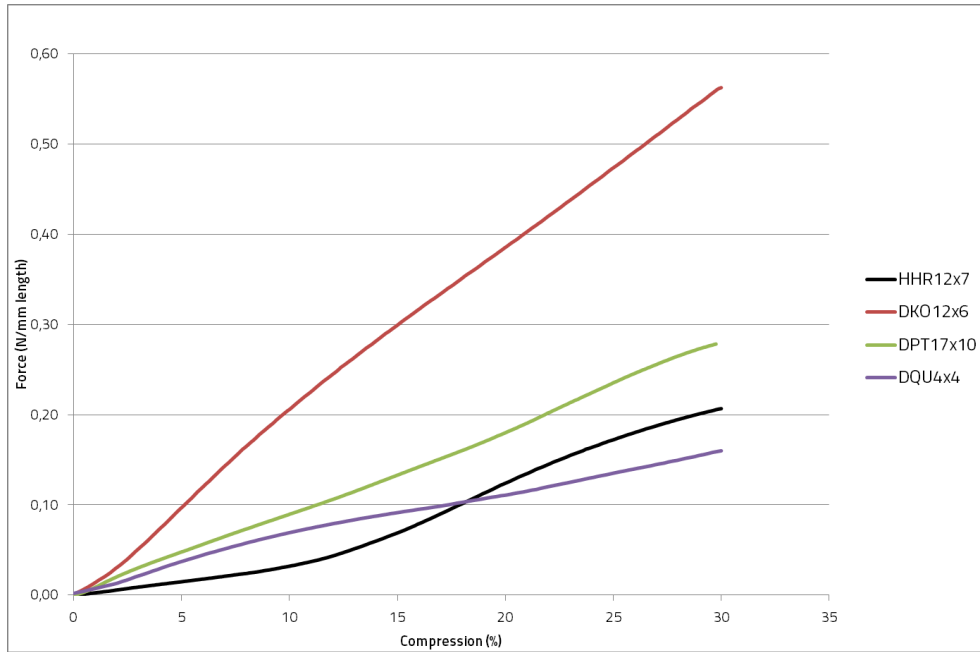
LENGTH (mm)	TOLERANCE (mm)
5 – 150	± 0,8
151 – 300	± 1,3
301 – 1.200	± 2,5
1.201 – 1.750	± 4,7
1.751 – 2.300	± 6,4

SHIELDING EFFECTIVENESS



NOTE | Due to less adhesive power of the conductive adhesive – compared to the non-conductive adhesive – the conductive adhesive is only an assembling aid.

FORCE DEFLECTION DIAGRAM CuNi



NOTE | Deviations may occur due to the very soft material.