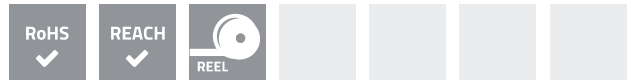


SMD contact springs are ideal for automatic assembly on printed circuit boards. They are soldered by the standard reflow-soldering process.

The standard basic material used for SMD contact springs is copper beryllium (CuBe). However, other materials can also be supplied.

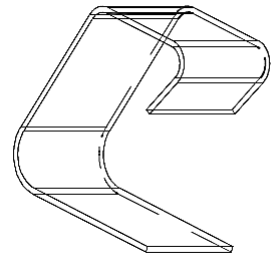
As standard, SMD springs are gold-plated (AU). They can be supplied in a wide range of dimensions and shapes.

- Ideal for automatic assembly
- Standard basic material: CuBe
- Standard plating: AU
- Available in different dimensions and types
- Almost unlimited working life

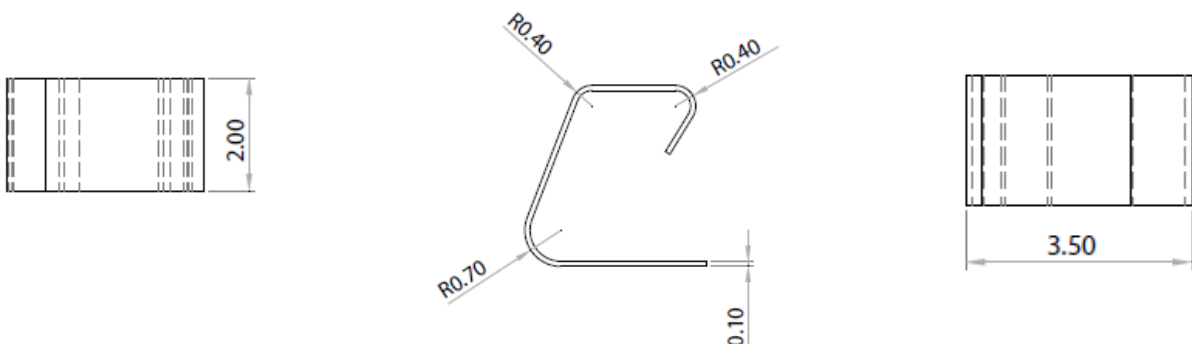


PRODUCT SPECIFICATIONS

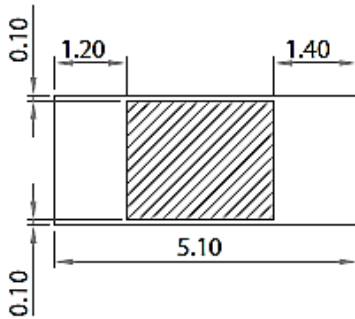
PROPERTY		VALUE / TOLERANCE
Thickness		0,1 mm
Width		2,0 mm ± 0,2
Length		3,5 mm ± 0,2
Height		3,5 mm ± 0,2
Basic material		Copper beryllium (CuBe)
Plating	Barrier layer Ni Outer layer AU	1µm – 2µm 0,025µm – 0,075µm



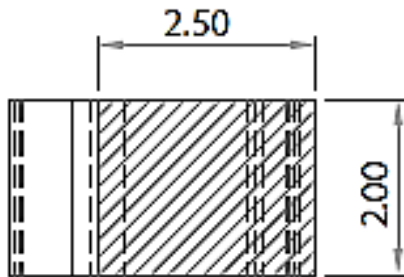
DIMENSIONS (mm)



RECOMMENDED RESERVED AREA ON THE PCB (mm)



RECOMMENDED PAD FOR THE PCB (mm)

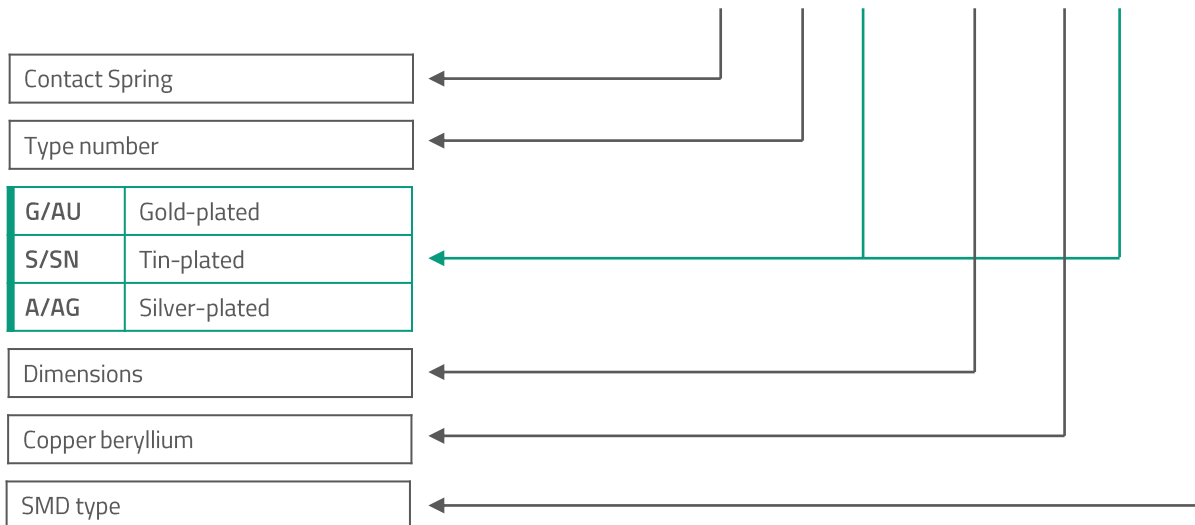


DISCLAIMER

This is only a recommendation based on information available to mtc at the time of printing. Actual land pattern can be significantly different due to various materials and processes used in PCB assembly. mtc makes no representation or warranty of performance based on the recommended land pattern.

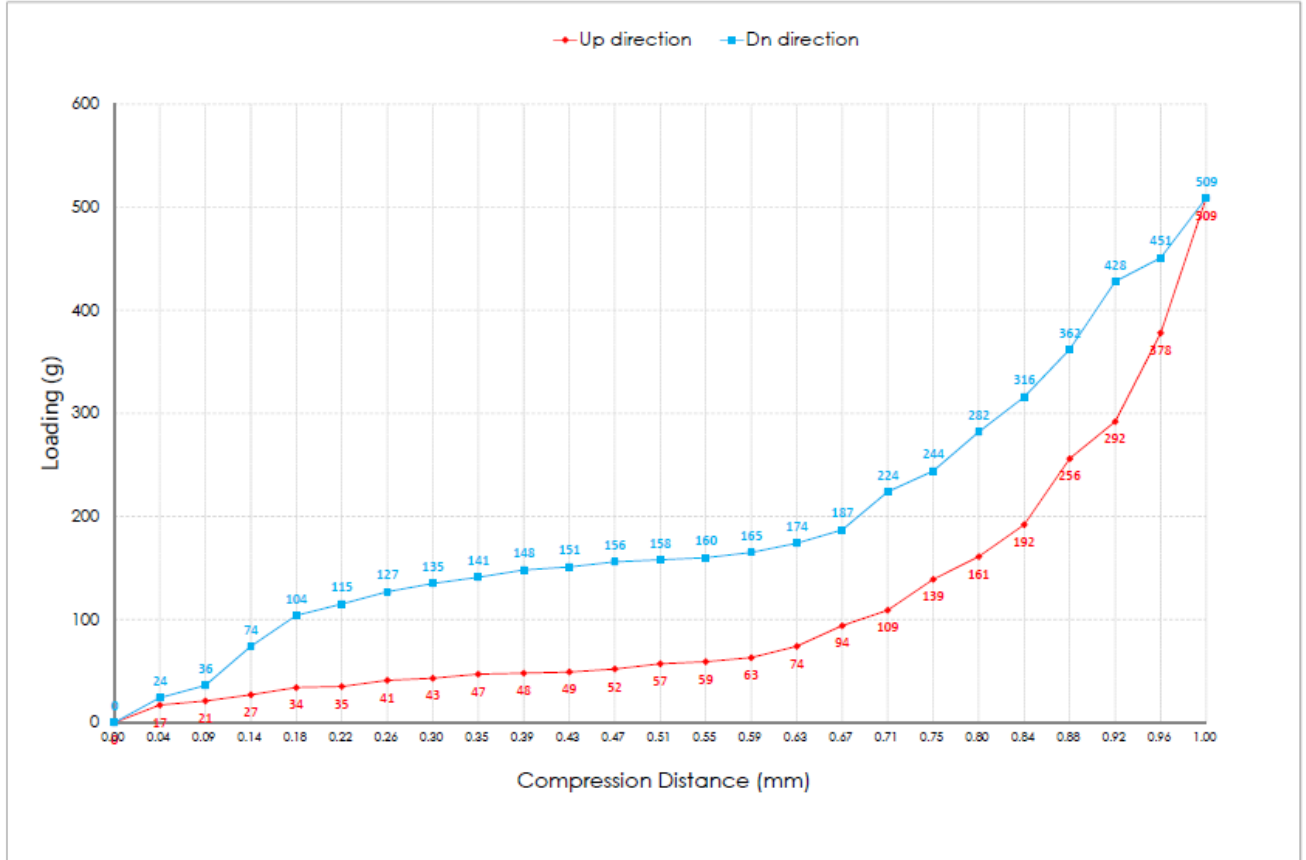
BUILDING AN ITEM NUMBER

FCB-05CX2035035B-YY-SMD



Standard options

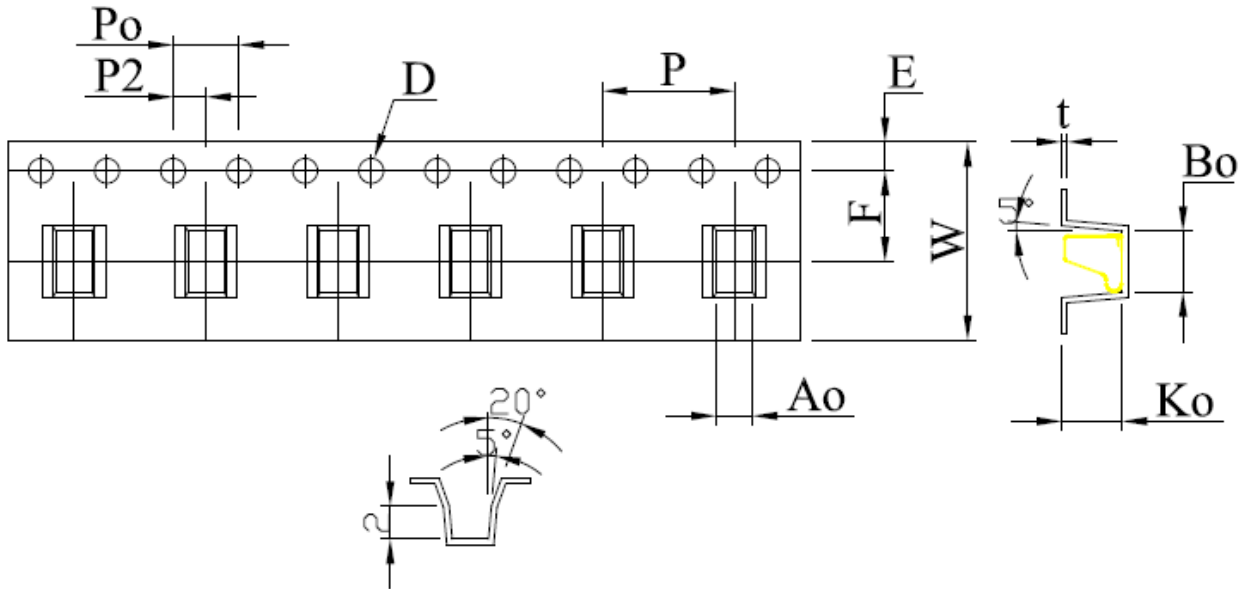
FORCE DEFLECTION DIAGRAM*



Total Compression Distance(mm)	1.00mm	
	Loading force(g) Down direction	Loading force(g) UP direction
0.00	0	0
0.04	24	17
0.09	36	21
0.14	74	27
0.18	104	34
0.22	115	35
0.26	127	41
0.30	135	43
0.35	141	47
0.39	148	48
0.43	151	49
0.47	156	52
0.51	158	57
0.55	160	59
0.59	165	63
0.63	174	74
0.67	187	94
0.71	224	109
0.75	244	139
0.80	282	161
0.84	316	192
0.88	362	256
0.92	428	292
0.96	451	378
1.00	509	509

NOTE | * Only valid for gold-plated version

PACKING SPECIFICATION – TAPE AND REEL (mm)



	W	A ₀	B ₀	K ₀	P	F	E	D	P ₀	P ₂	T
	12,00	2,20	3,70	3,70	8,00	5,50	1,75	∅ 1,50	4,00	2,00	0,35
Tolerance	± 0,30	± 0,10	± 0,10	± 0,10	± 0,10	± 0,10	± 0,10	+ 0,10 - 0,00	± 0,10	± 0,10	± 0,05

- 10 sprocket hole pitch cumulative tolerance ± 0,20 mm.
- Carrier camber not to exceed 1 mm in 250 mm.
- A₀ and B₀ measured on a plane 0,3 mm above the bottom of the pocket.
- K₀ measured from a plane on the inside bottom of the pocket to the top surface of the carrier.
- All dimensions meet EIA-481-B requirements.
- Material: Clear non anti-static polystyrene.
- Component load per 13" reel: 2.100 pcs (before 20 after 50 pcs).

Modifications and errors excepted. The information and statements herein are believed to be reliable but are not to be construed as a warranty or representation for which we assume legal responsibility. Users should undertake sufficient verifications and testings to determine the suitability for their own particular purpose of any information or products referred to herein.