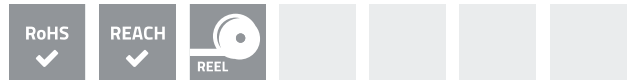


SMD contact springs are ideal for automatic assembly on printed circuit boards. They are soldered by the standard-reflow-soldering process.

The standard basic material used for SMD contact springs is copper beryllium (CuBe). However, other materials can also be supplied.

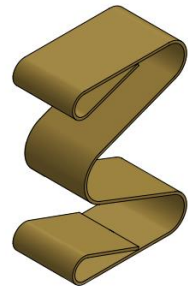
As standard, SMD springs are gold-plated (AU). They can be supplied in a wide range of dimensions and shapes.

- Ideal for automatic assembly
- Standard basic material: CuBe
- Standard plating: AU
- Available in different dimensions and types
- Almost unlimited working life

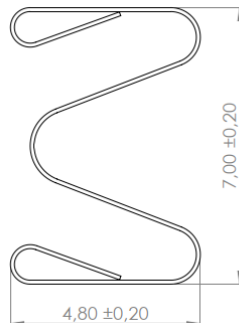
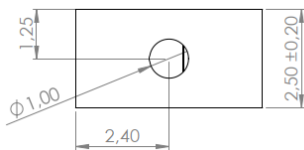


PRODUCT SPECIFICATIONS

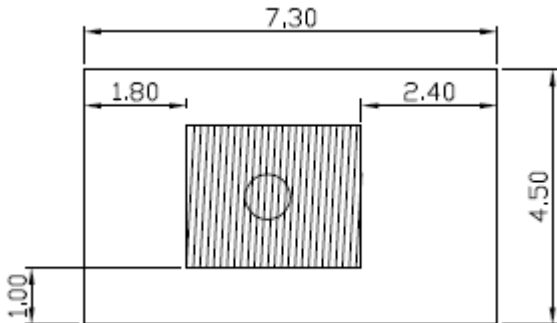
PROPERTY		VALUE / TOLERANCE
Thickness		0,10 mm
Width		2,50 mm ± 0,2
Length		4,80 mm ± 0,2
Height		7,00 mm ± 0,2
Basic material		Copper beryllium (CuBe)
Plating	Barrier layer NI Outer layer AU	1,27µm – 3,05µm 0,025µm – 0,075µm



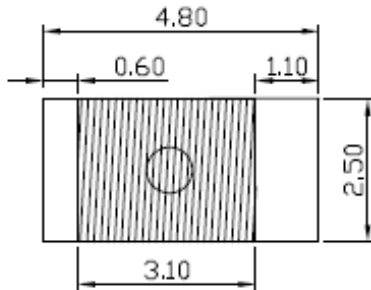
DIMENSIONS (mm)



RECOMMENDED RESERVED AREA ON THE PCB (mm)



RECOMMENDED PAD FOR THE PCB (mm)

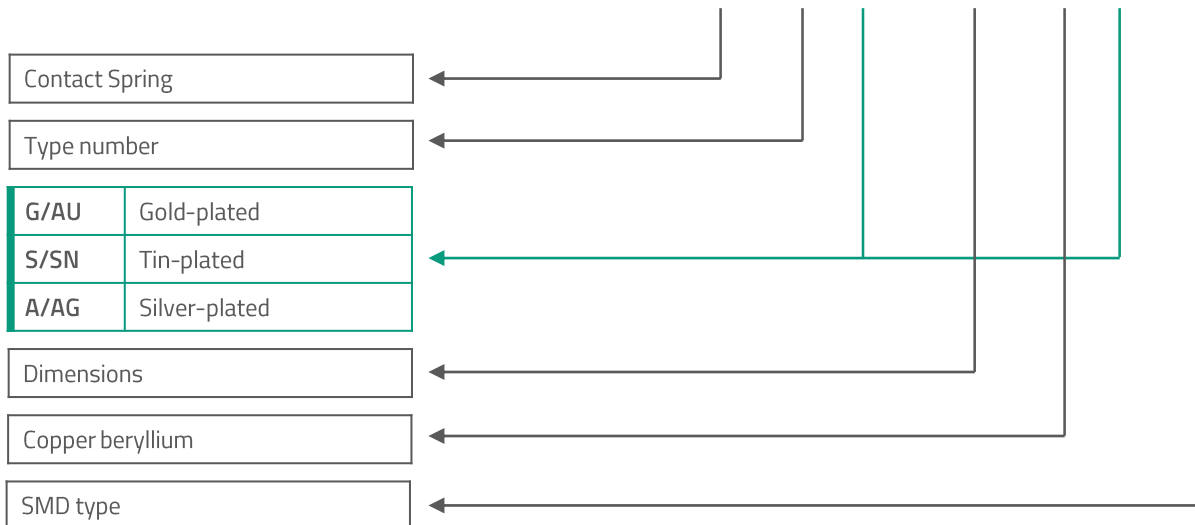


DISCLAIMER

This is only a recommendation based on information available to mtc at the time of printing. Actual land pattern can be significantly different due to various materials and processes used in PCB assembly. mtc makes no representation or warranty of performance based on the recommended land pattern.

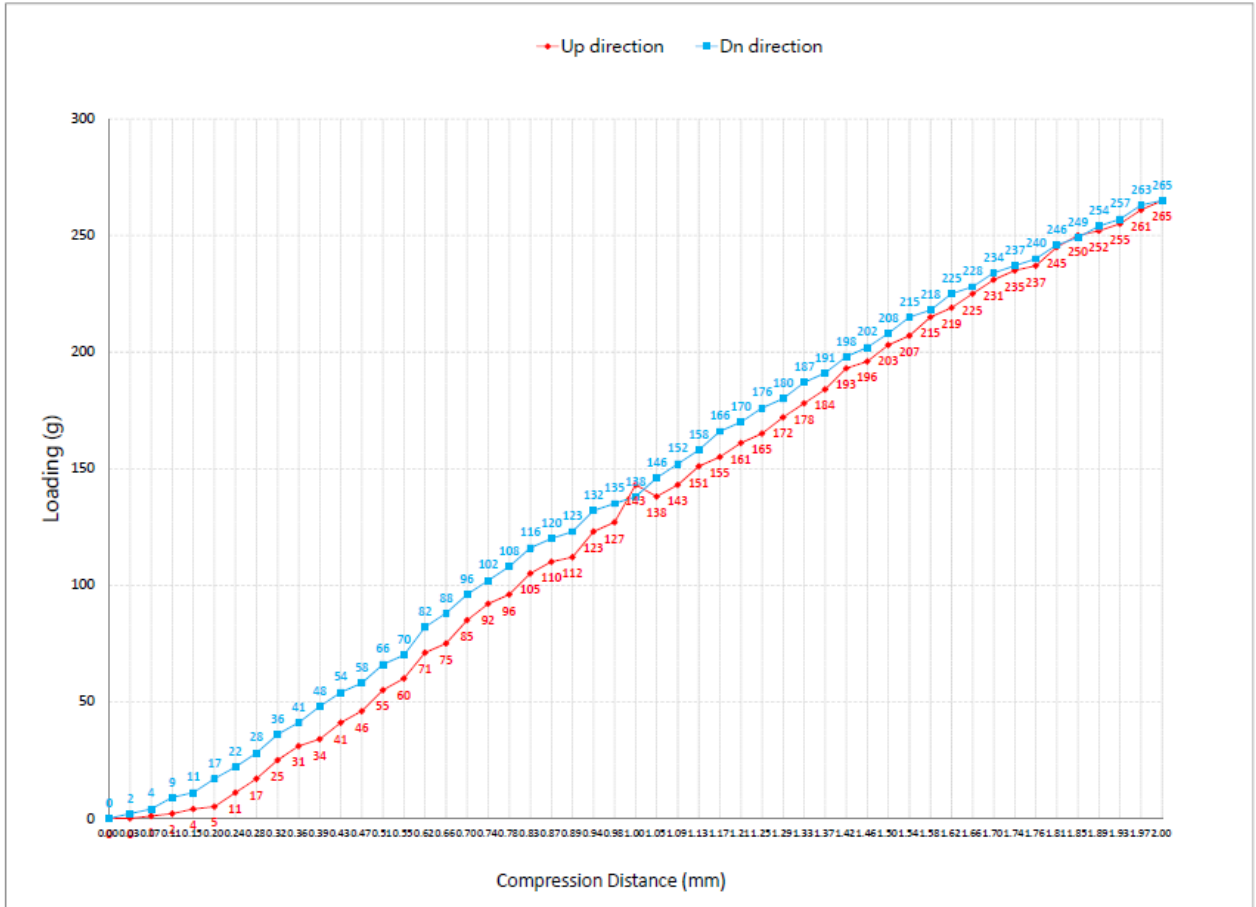
BUILDING AN ITEM NUMBER

FCB-063X2548070BY-YY-SMD



Standard options

FORCE DEFLECTION DIAGRAM*

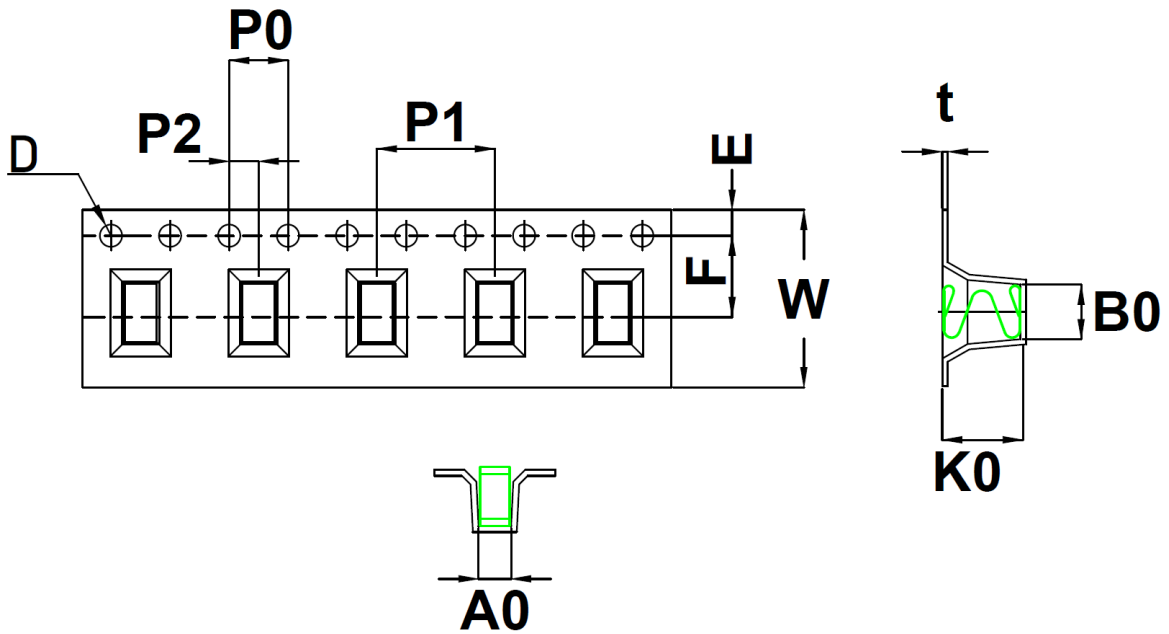


Total Compression Distance(mm)	2.00	
	Displacement (mm)	
	Loading force(g) Down direction	Loading force(g) UP direction
0	0	0
0.03	2	0
0.07	4	1
0.11	9	2
0.15	11	4
0.2	17	5
0.24	22	11
0.28	28	17
0.32	36	25
0.36	41	31
0.39	48	34
0.43	54	41
0.47	58	46
0.51	66	55
0.55	70	60
0.62	82	71
0.66	88	75
0.7	96	85
0.74	102	92
0.78	108	96
0.83	116	105
0.87	120	110
0.89	123	112
0.94	132	123
0.98	135	127
1	138	143

Total Compression Distance(mm)	2.00	
	Displacement (mm)	
	Loading force(g) Down direction	Loading force(g) UP direction
1.05	146	138
1.09	152	143
1.13	158	151
1.17	166	155
1.21	170	161
1.25	176	165
1.29	180	172
1.33	187	178
1.37	191	184
1.42	198	193
1.46	202	196
1.5	208	203
1.54	215	207
1.58	218	215
1.62	225	219
1.66	228	225
1.7	234	231
1.74	237	235
1.76	240	237
1.81	246	245
1.85	249	250
1.89	254	252
1.93	257	255
1.97	263	261
2	265	265

NOTE | * Only valid for gold-plated version

PACKING SPECIFICATION – TAPE AND REEL (mm)



	W	A ₀	B ₀	K ₀	P ₁	F	E	D	P ₀	P ₂	T
	16,00	2,80	5,00	7,30	8,00	7,50	1,75	∅ 1,50	4,00	2,00	0,50
Tolerance	± 0,30	± 0,10	± 0,10	± 0,10	± 0,10	± 0,10	± 0,10	+ 0,10 - 0,00	± 0,10	± 0,10	± 0,03

- 10 sprocket hole pitch cumulative tolerance ± 0,20 mm.
- Carrier camber not to exceed 1 mm in 100 mm.
- A₀ and B₀ measured on a plane 0,3 mm above the bottom of the pocket.
- K₀ measured from a plane on the inside bottom of the pocket to the top surface of the carrier.
- All dimensions meet EIA-481-B requirements.
- Material: Black conductive polystyrene.
- Component load per 13" reel: 1000 pcs.

Modifications and errors excepted. The information and statements herein are believed to be reliable but are not to be construed as a warranty or representation for which we assume legal responsibility. Users should undertake sufficient verifications and testings to determine the suitability for their own particular purpose of any information or products referred to herein.