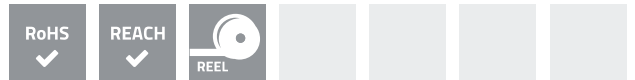


SMD contact springs are ideal for automatic assembly on printed circuit boards. They are soldered by the standard reflow-soldering process.

The standard basic material used for SMD contact springs is copper beryllium (CuBe). However, other materials can also be supplied.

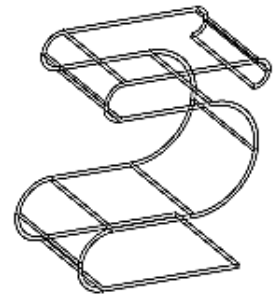
As standard, SMD springs are gold-plated (AU). They can be supplied in a wide range of dimensions and shapes.

- Ideal for automatic assembly
- Standard basic material: CuBe
- Standard plating: AU
- Available in different dimensions and types
- Almost unlimited working life

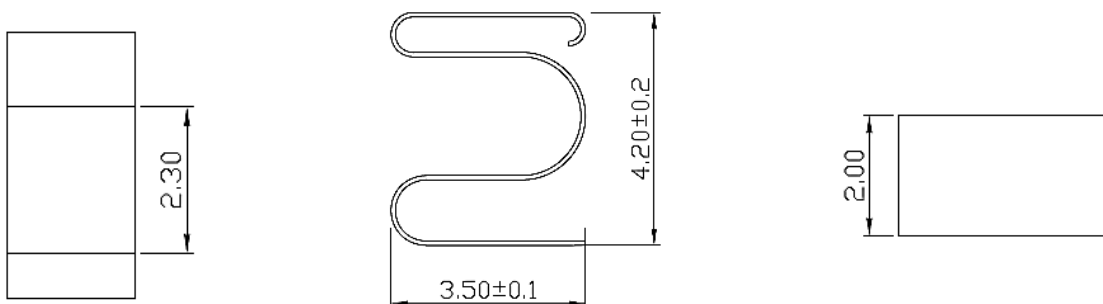


PRODUCT SPECIFICATIONS

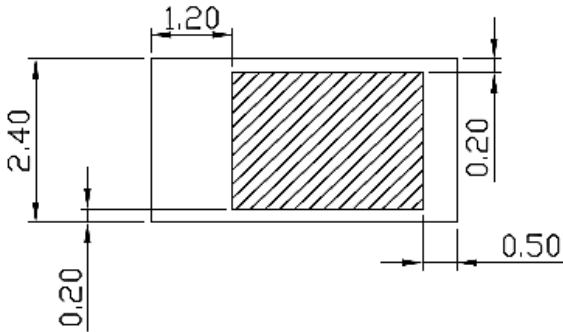
PROPERTY		VALUE / TOLERANCE
Thickness		0,08 mm
Width		2,00 mm ± 0,2
Length		3,50 mm ± 0,2
Height		4,20 mm ± 0,2
Basic material		Copper beryllium (CuBe)
Plating	Barrier layer NI Outer layer AU	1µm – 2µm 0,025µm – 0,075µm



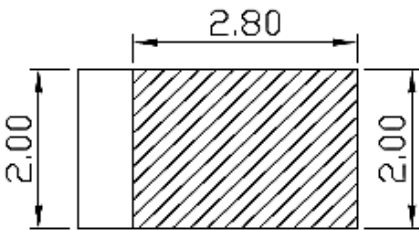
DIMENSIONS (mm)



RECOMMENDED RESERVED AREA ON THE PCB (mm)



RECOMMENDED PAD FOR THE PCB (mm)

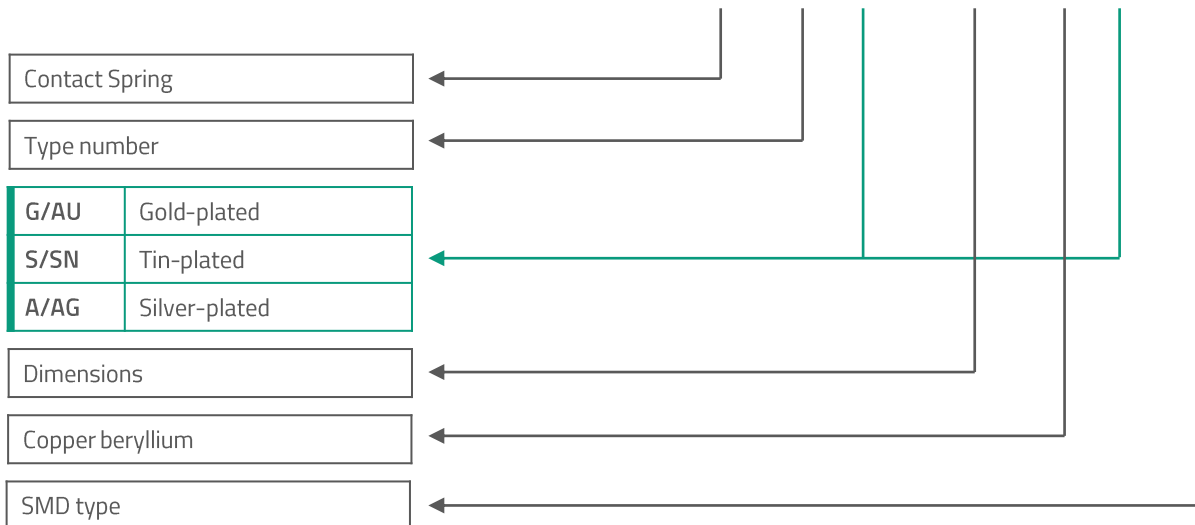


DISCLAIMER

This is only a recommendation based on information available to mtc at the time of printing. Actual land pattern can be significantly different due to various materials and processes used in PCB assembly. mtc makes no representation or warranty of performance based on the recommended land pattern.

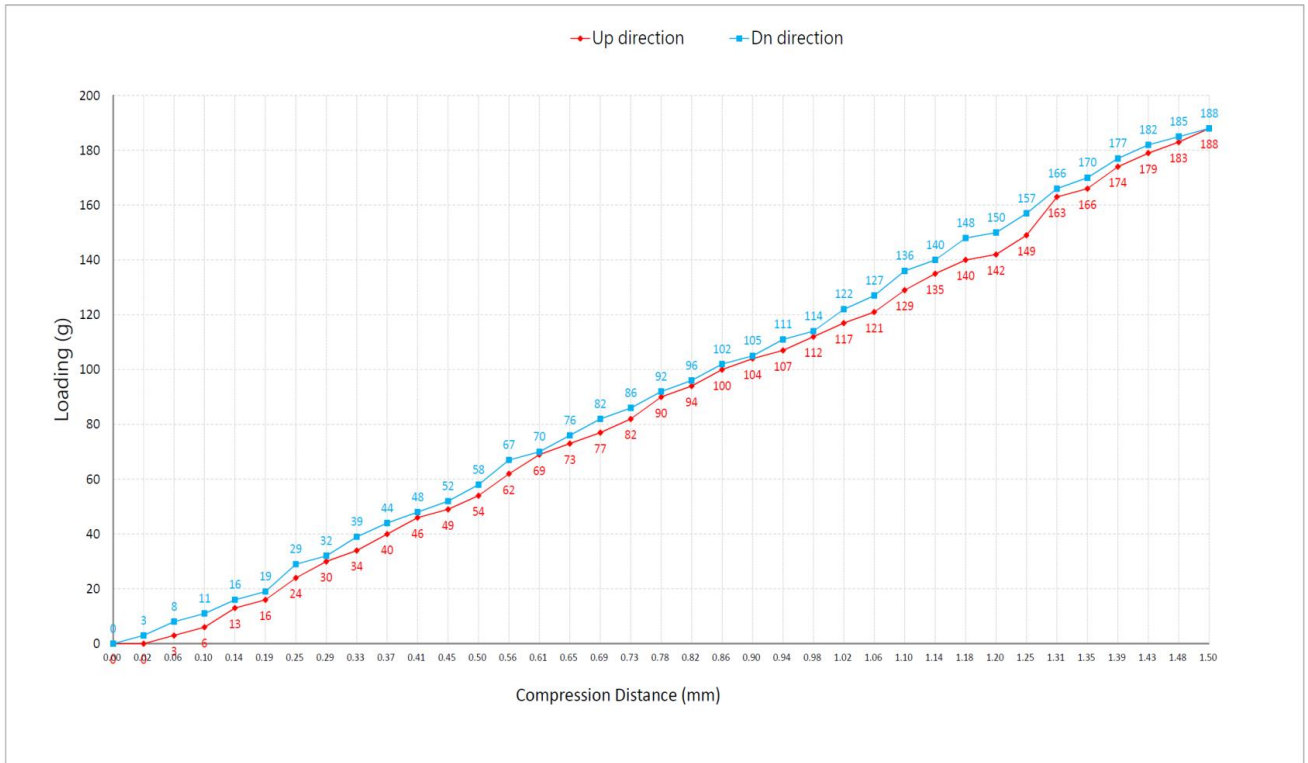
BUILDING AN ITEM NUMBER

FCB-173X2035042B-YY-SMD



Standard options

FORCE DEFLECTION DIAGRAM*

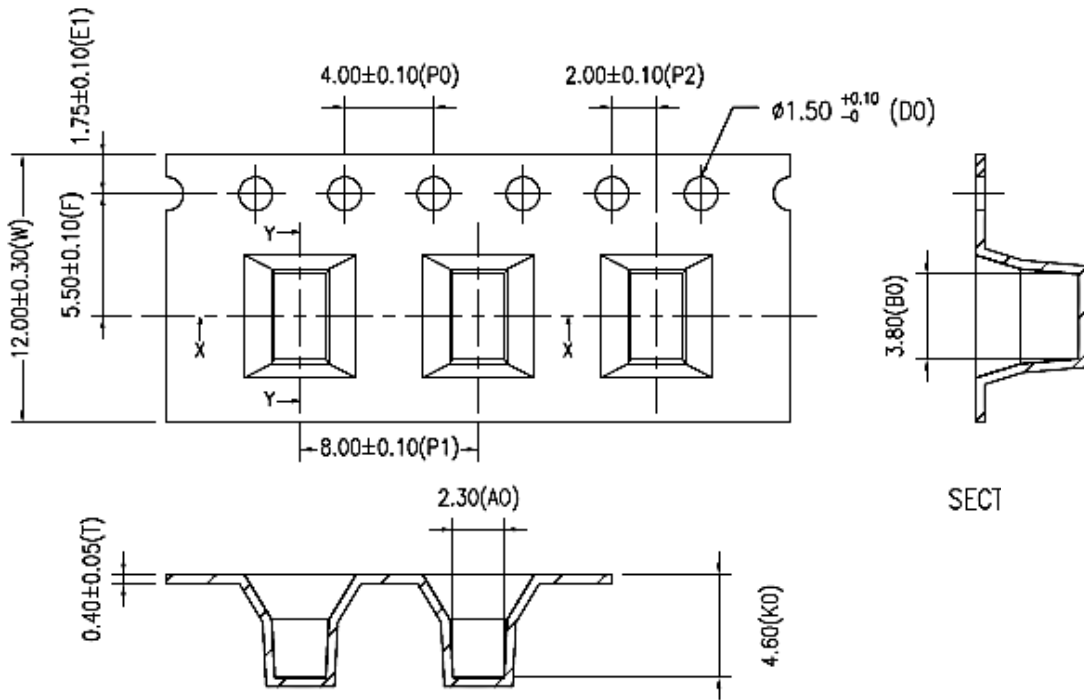


Total Compression Distance(mm)	1.50	
Displacement (mm)	Loading force(g) Down direction	Loading force(g) UP direction
0.00	0	0
0.02	3	0
0.06	8	3
0.10	11	6
0.14	16	13
0.19	19	16
0.25	29	24
0.29	32	30
0.33	39	34
0.37	44	40
0.41	48	46
0.45	52	49
0.50	58	54
0.56	67	62
0.61	70	69
0.65	76	73
0.69	82	77
0.73	86	82
0.78	92	90
0.82	96	94
0.86	102	100
0.90	105	104
0.94	111	107
0.98	114	112
1.02	122	117
1.06	127	121
1.10	136	129
1.14	140	135
1.18	148	142
1.20	150	149
1.25	157	163
1.31	166	166
1.35	170	174
1.39	177	183
1.43	182	185
1.48	185	188
1.50	188	188

Total Compression Distance(mm)	1.50	
Displacement (mm)	Loading force(g) Down direction	Loading force(g) UP direction
0.90	105	104
0.94	111	107
0.98	114	112
1.02	122	117
1.06	127	121
1.10	136	129
1.14	140	135
1.18	148	140
1.20	150	142
1.25	157	149
1.31	166	163
1.35	170	166
1.39	177	174
1.43	182	179
1.48	185	183
1.50	188	188

NOTE | * Only valid for gold-plated version

PACKING SPECIFICATION – TAPE AND REEL (mm)



	A ₀	B ₀	K ₀
	2,30	3,80	4,60
Tolerance	± 0,10	± 0,10	± 0,10

- All dimensions meet EIA-481-D requirements.
- Material: Transparence Anti-static polystyrene Alloy.
- Component load per 13" reel: 1.700 pcs.

Modifications and errors excepted. The information and statements herein are believed to be reliable but are not to be construed as a warranty or representation for which we assume legal responsibility. Users should undertake sufficient verifications and testings to determine the suitability for their own particular purpose of any information or products referred to herein.