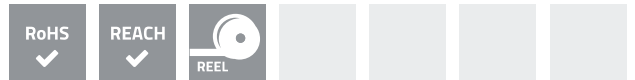


SMD contact springs are ideal for automatic assembly on printed circuit boards. They are soldered by the standard reflow-soldering process.

The standard basic material used for SMD contact springs is copper beryllium (CuBe). However, other materials can also be supplied.

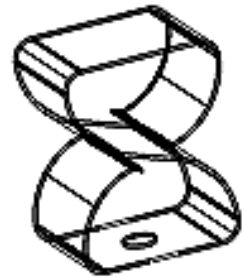
As standard, SMD springs are gold-plated (AU). They can be supplied in a wide range of dimensions and shapes.

- Ideal for automatic assembly
- Standard basic material: CuBe
- Standard plating: AU
- Available in different dimensions and types
- Almost unlimited working life

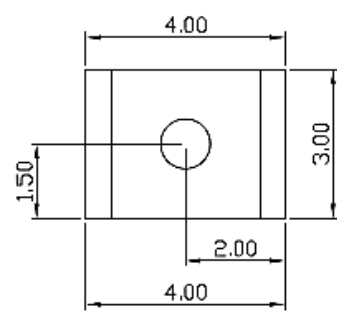
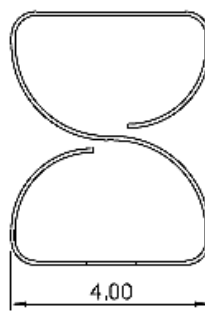
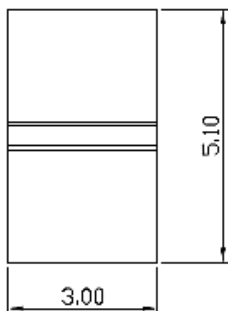


PRODUCT SPECIFICATIONS

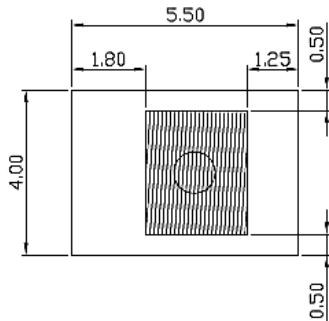
PROPERTY		VALUE / TOLERANCE
Thickness		0,08 mm
Width		3,00 mm ± 0,2
Length		4,00 mm ± 0,2
Height		5,10 mm ± 0,2
Basic material		Copper beryllium (CuBe)
Plating	Barrier layer Ni Outer layer AU	1µm – 2µm 0,025µm – 0,075µm



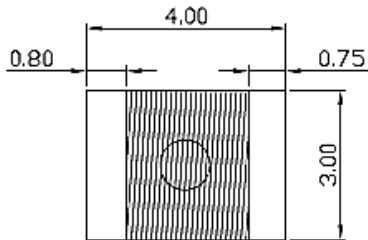
DIMENSIONS (mm)



RECOMMENDED RESERVED AREA ON THE PCB (mm)



RECOMMENDED PAD FOR THE PCB (mm)

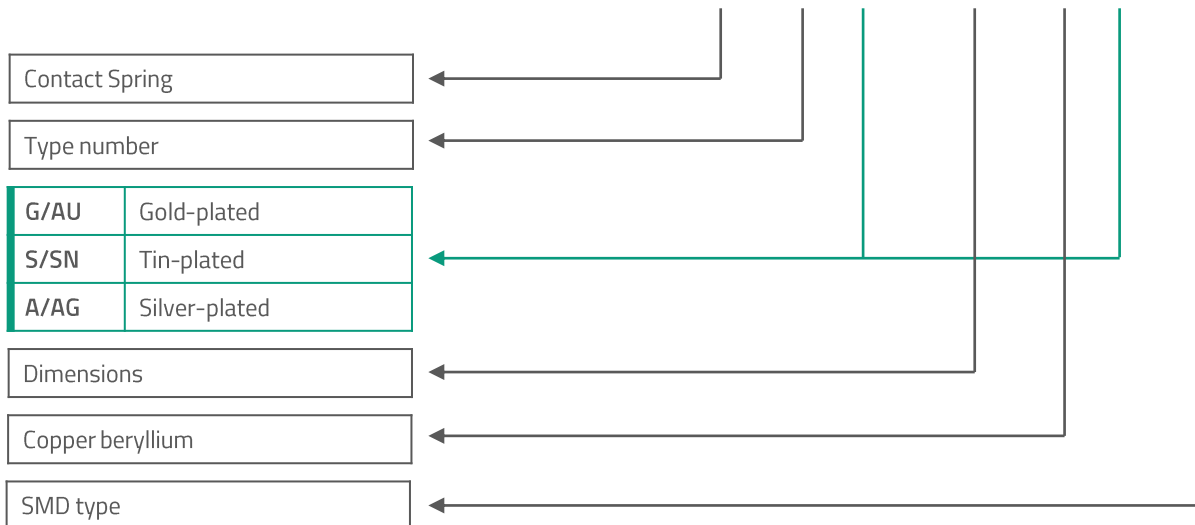


DISCLAIMER

This is only a recommendation based on information available to mtc at the time of printing. Actual land pattern can be significantly different due to various materials and processes used in PCB assembly. mtc makes no representation or warranty of performance based on the recommended land pattern.

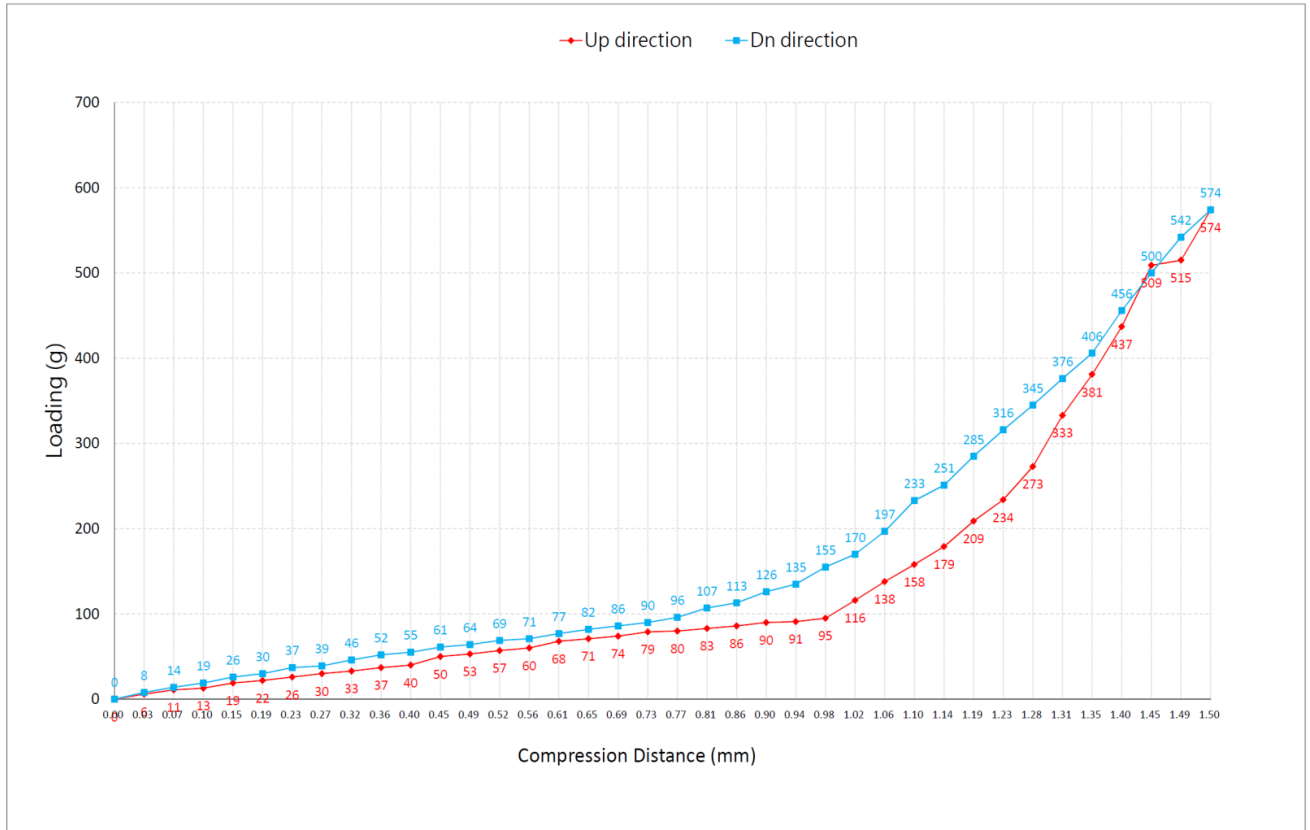
BUILDING AN ITEM NUMBER

FCB-198X3040051B-YY-SMD



Standard options

FORCE DEFLECTION DIAGRAM*

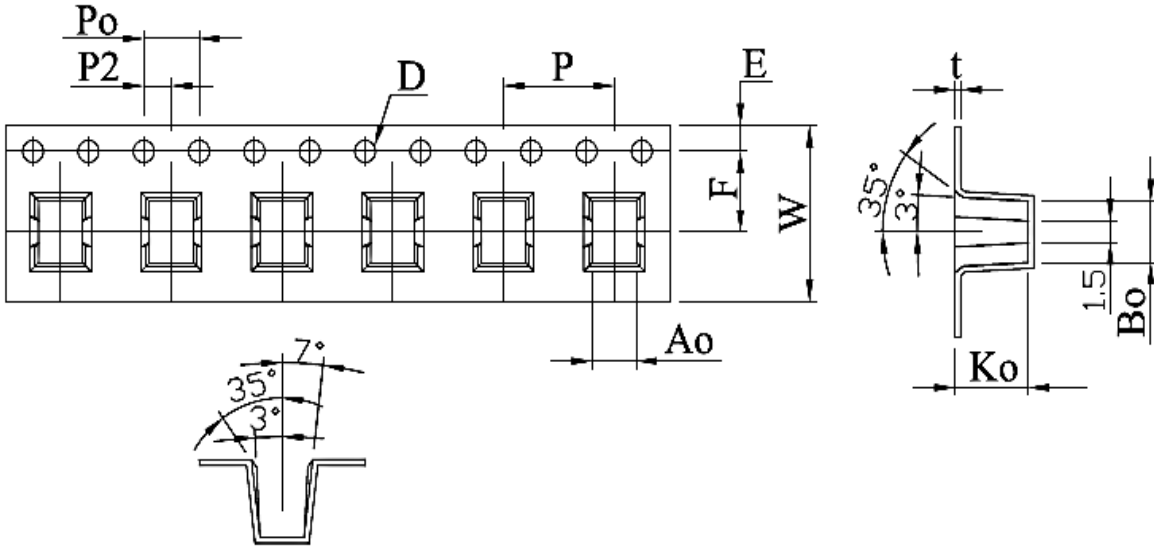


Total Compression Distance(mm)	1.50	
Displacement (mm)	Loading force(g) Down direction	Loading force(g) UP direction
0	0	0
0.03	8	6
0.07	14	11
0.1	19	13
0.15	26	19
0.19	30	22
0.23	37	26
0.27	39	30
0.32	46	33
0.36	52	37
0.4	55	40
0.45	61	50
0.49	64	53
0.52	69	57
0.56	71	60
0.61	77	68
0.65	82	71
0.69	86	74

Total Compression Distance(mm)	1.50	
Displacement (mm)	Loading force(g) Down direction	Loading force(g) UP direction
0.73	90	79
0.77	96	80
0.81	107	83
0.86	113	86
0.9	126	90
0.94	135	91
0.98	155	95
1.02	170	116
1.06	197	138
1.1	233	158
1.14	251	179
1.19	285	209
1.23	316	234
1.28	345	273
1.31	376	333
1.35	406	381
1.4	456	437
1.45	500	500
1.49	542	515
1.5	574	574

NOTE | * Only valid for gold-plated version

PACKING SPECIFICATION – TAPE AND REEL (mm)



	W	A ₀	B ₀	K ₀	P	F	E	D	P ₀	P ₂	T
	12,00	3,20	4,20	5,30	8,00	5,50	1,75	∅ 1,50	4,00	2,00	0,40
Tolerance	± 0,30	± 0,10	± 0,10	± 0,10	± 0,10	± 0,05	± 0,10	+ 0,10 - 0,00	± 0,10	± 0,05	± 0,05

- 10 sprocket hole pitch cumulative tolerance ± 0,20 mm.
- Carrier camber not to exceed 1 mm in 250 mm.
- A₀ and B₀ measured on a plane 0,3 mm above the bottom of the pocket.
- K₀ measured from a plane on the inside bottom of the pocket to the top surface of the carrier.
- All dimensions meet EIA-481-B requirements.
- Material: Transparency Anti-static polystyrene Alloy.
- Component load per 13" reel: 1.500 pcs. (before 20 after 50 pcs.)