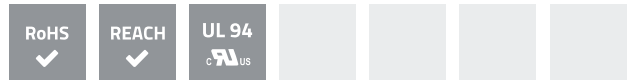
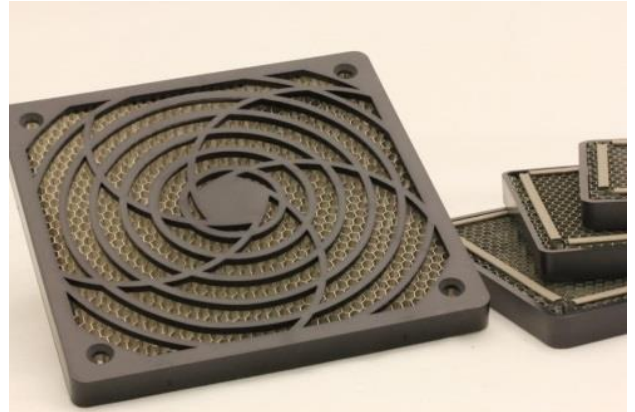


Fan vents provide EMC shielding where applications demand a low cost solution while still providing an adequate shielding performance.

A Hi-impact ABS UL94V-0 fire retardant moulding is fitted with one layer of 3,2mm cell x 6,35mm thick honeycomb and a nickel/copper fabric gasket to ground the honeycomb to the metalwork.

The vents have four countersunk holes to suit standard fan mountings.

- Low cost solution to shield standard fans
- Aluminium honeycomb material in a plastic frame
- Contact between the fan vent and the chassis by an electrically conductive gasket
- Four countersunk holes for easy installation



PRODUCT SPECIFICATIONS

PROPERTY	VALUE / TOLERANCE	TEST METHOD
Basic material	Aluminium foil	-
Frame	Plastic	-
Cell size & thickness	3,2 x 6,35 mm	-

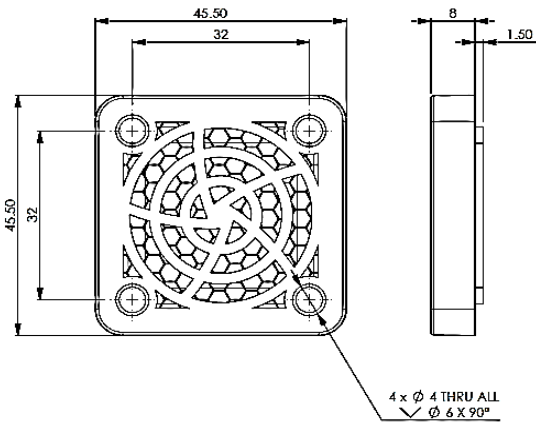
SHIELDING PERFORMANCE*

FREQUENCY	FIELD	dB
200 KHz	H	53
100 MHz	E	102
500 MHz	P	85
2 GHz	P	74
10 GHz	P	58

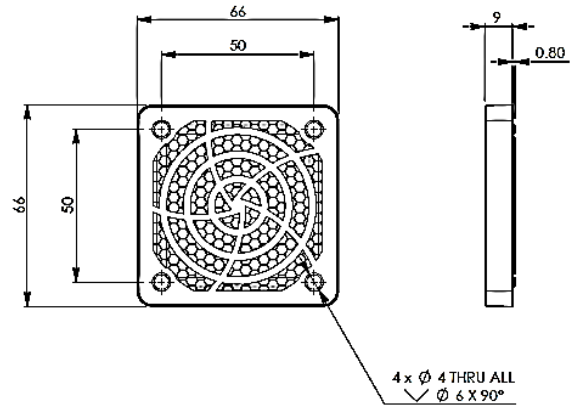
* Measured shielding performance in accordance with Mil Std 285 (80mm size tested).

TYPES

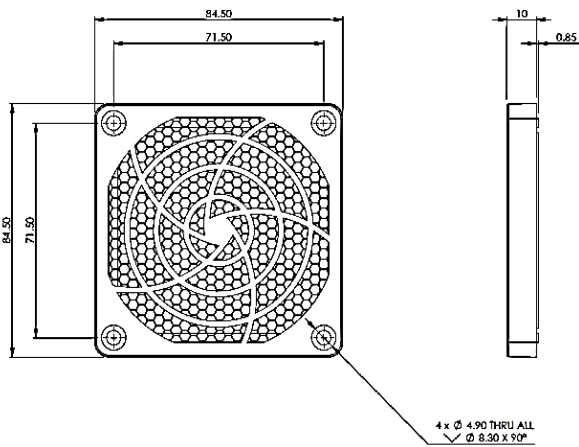
LF40



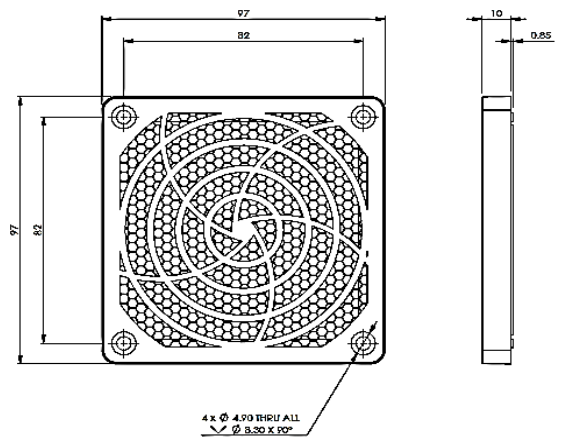
LF60



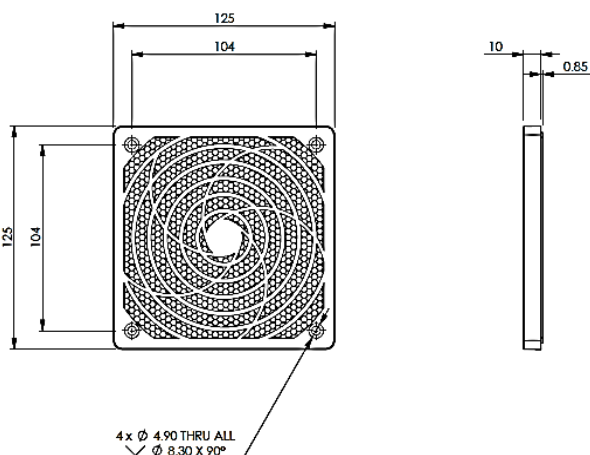
LF80



LF92



LF120



TYPE	LENGTH (L)	WIDTH (W)	THICKNESS (T)
LF40	45,5 mm	45,5 mm	8,0 mm
LF60	66,0 mm	66,0 mm	9,0 mm
LF80	84,5 mm	84,5 mm	10,0 mm
LF92	97,0 mm	97,0 mm	10,0 mm
LF120	125,0 mm	125,0 mm	10,0 mm

BUILDING AN ITEM NUMBER

LF-X-LxWxT

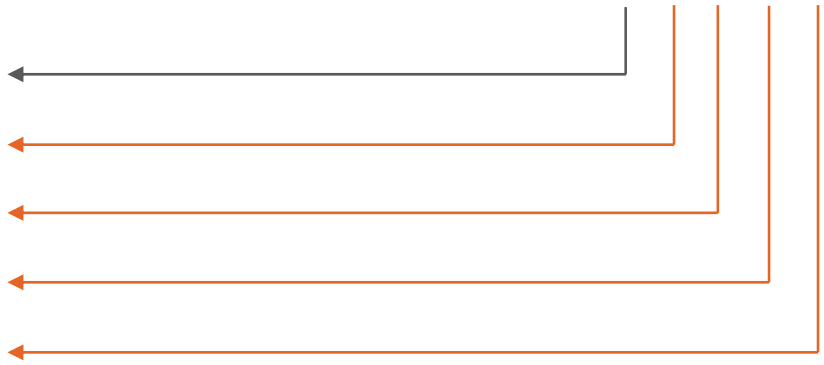
Fan Vents

xx	Type
----	------

xx	Length (mm)
----	-------------

xx	Width (mm)
----	------------

xx	Thickness (mm)
----	----------------



Standard options

EXAMPLE

LF40-45,5x45,5x8

Fan vent type 40; length: 45,5 mm; width: 45,5 mm; thickness: 8 mm