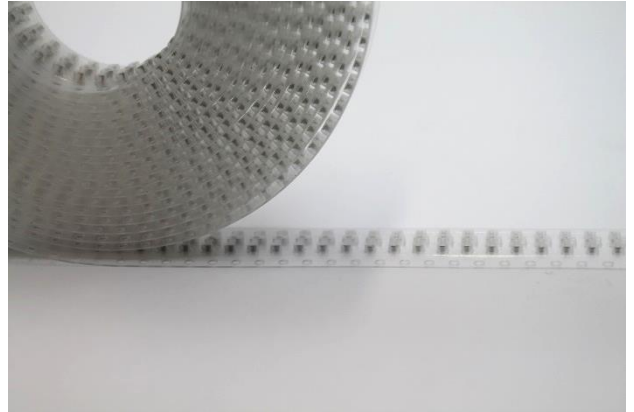


SMD-compatible **shielding** clips offer the advantage that they can be installed individually on the printed circuit board (PCB) and thus establish a „fitting“ for the shielding cover.

Depending on the size of the area to shield the usage of one or more clips per side is recommended.

Shielding clips are made of tin plated steel and are supplied on belt.

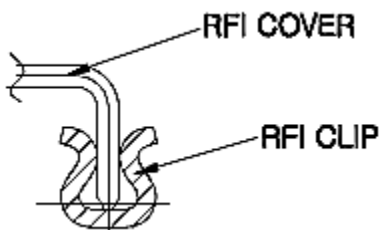
- Individual installation on the PCB
- SMD placeable
- Delivery on belt
- Basic material: tin plated steel



PRODUCT SPECIFICATIONS

PROPERTY	VALUE
Thickness	0,20 mm
Length	10,00 mm
Width	1,90 mm
Height	3,00 mm
Basic material	SUS301
Plating	Tin all over

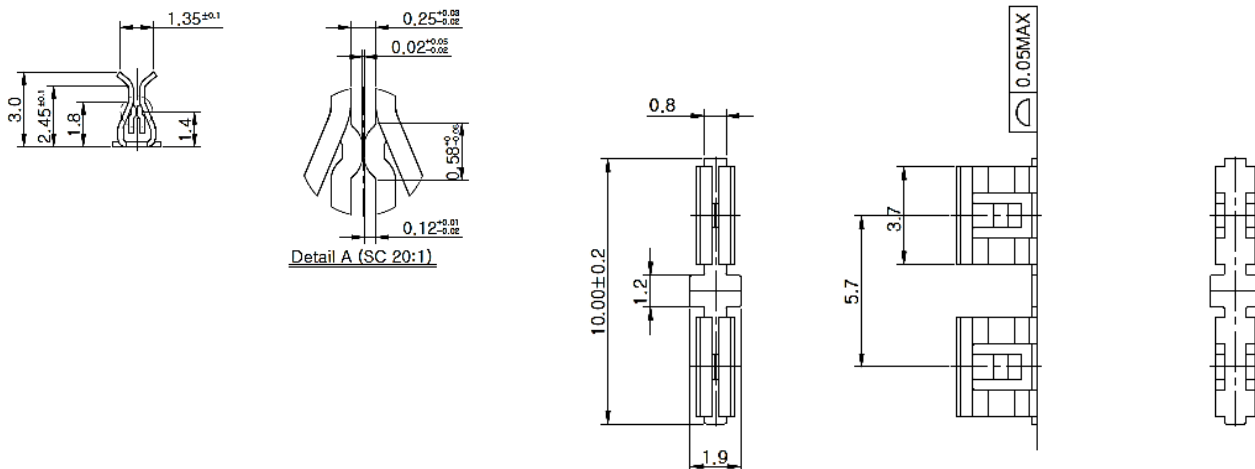
COVER INSTALLED



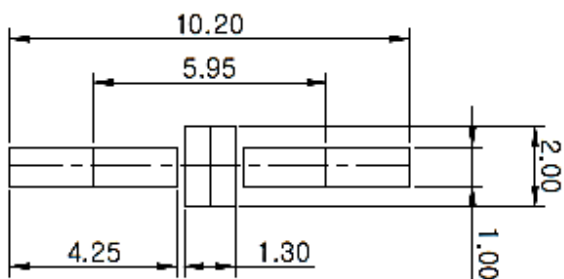
SHIELDING CLIP

SC-10,00x1,90x3,00-TC-0,30

DIMENSIONS (mm)



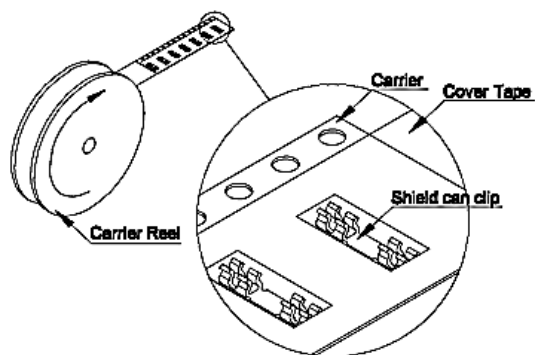
RECOMMENDED PCB Layout (mm)



DISCLAIMER

This is only a recommendation based on information available to mtc at the time of printing. Actual land pattern can be significantly different due to various materials and processes used in PCB assembly. mtc makes no representation or warranty of performance based on the recommended land pattern.

PACKING SPECIFICATION



- 16 mm tape per E.I.A. Std. 481
- 13" reel
- Reel: hips 0,3t
- Cover tape: PS
- Quantity/reel: 10.000 pcs