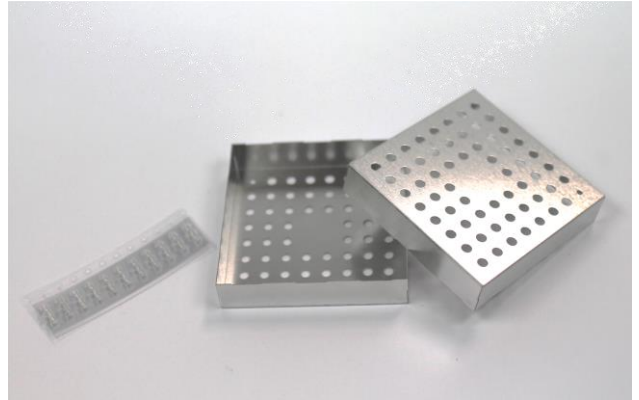


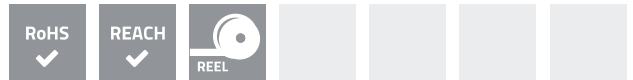
No matter whether they are for prototypes or for mass production, in small or large quantities, **board level shields** are a cost-efficient way to protect components directly on the printed circuit board (PCB).

**Shielding clips** are fully automatically placed on the PCB. The clips are available as standard articles. The assembly of the **one-piece covers** is done manually or automatically. Due to the removable cover, the underlying components are accessible an any time.

- **Basic material:** SPTE
- **Standard plating:** tin
- **Samples without tooling costs, serial quantities with low tooling costs**
- **Integration of thermally conductive gap fillers or microwave absorbers on request**



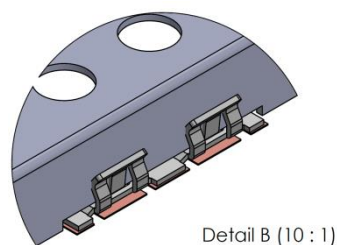
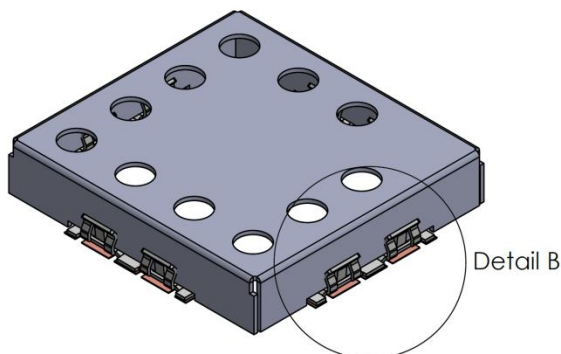
Picture only shows an example of a one-piece board level shield with clips



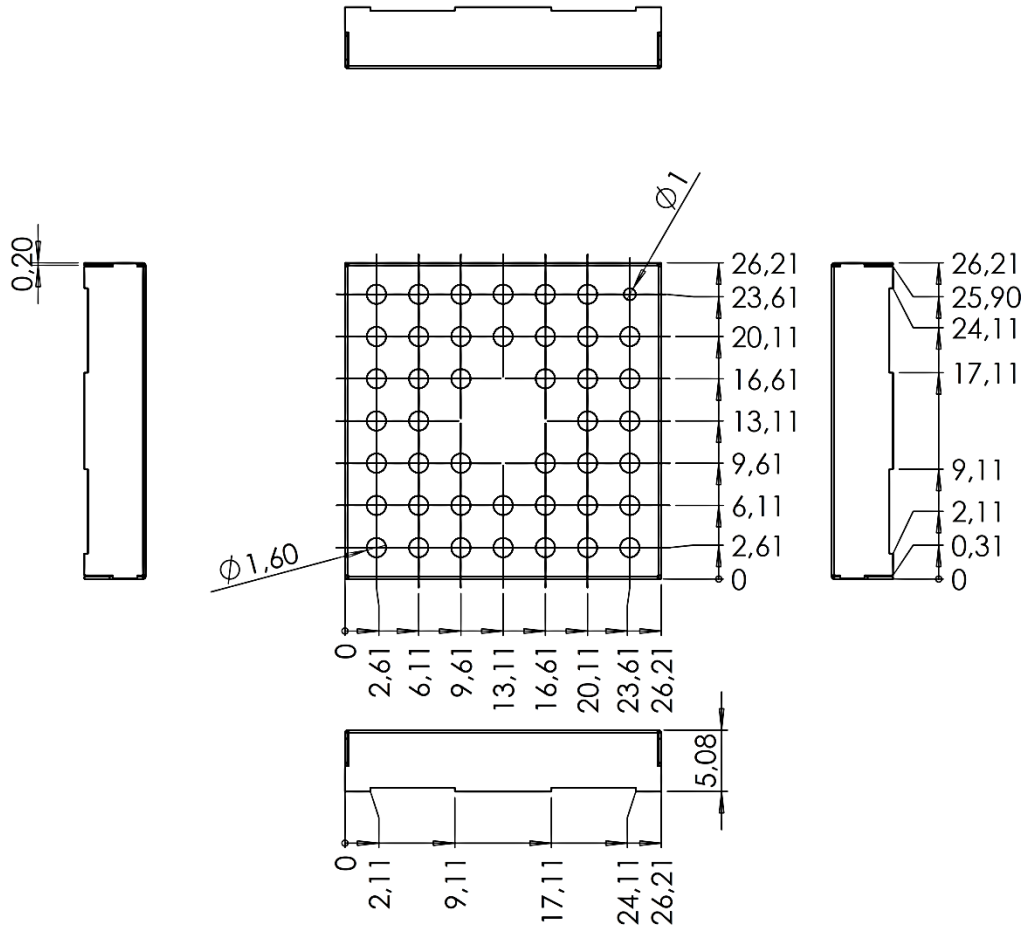
### PRODUCT SPECIFICATIONS

PROPERTY	VALUE acc. to ISO 2768-mK
Thickness	0,20 mm
Length	26,21 mm
Width	26,21 mm
Height	5,08 mm
Basic material	SPTE
Plating	Tin-plated

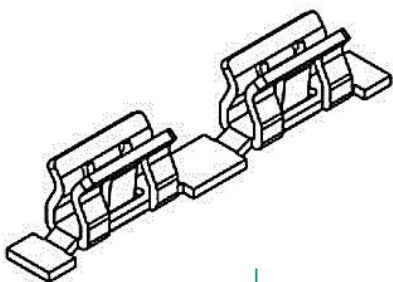
### 3D VIEW (SCHEMATIC VIEW)



**DIMENSIONS (mm)**

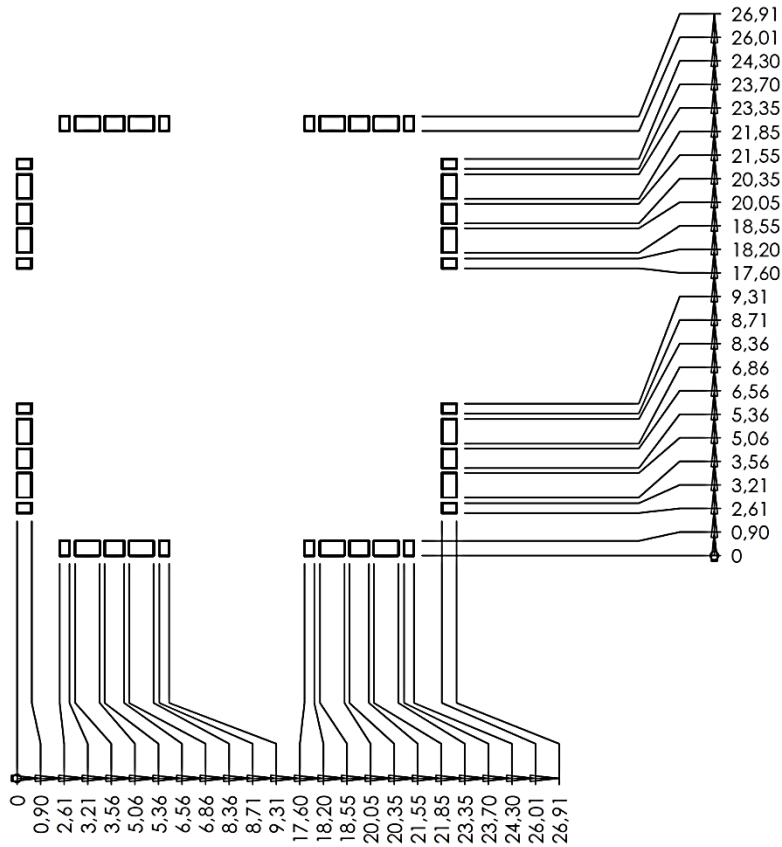


**RECOMMENDED SHIELDING CLIP**



SC-6,50x0,80x1,27-TC-0,15

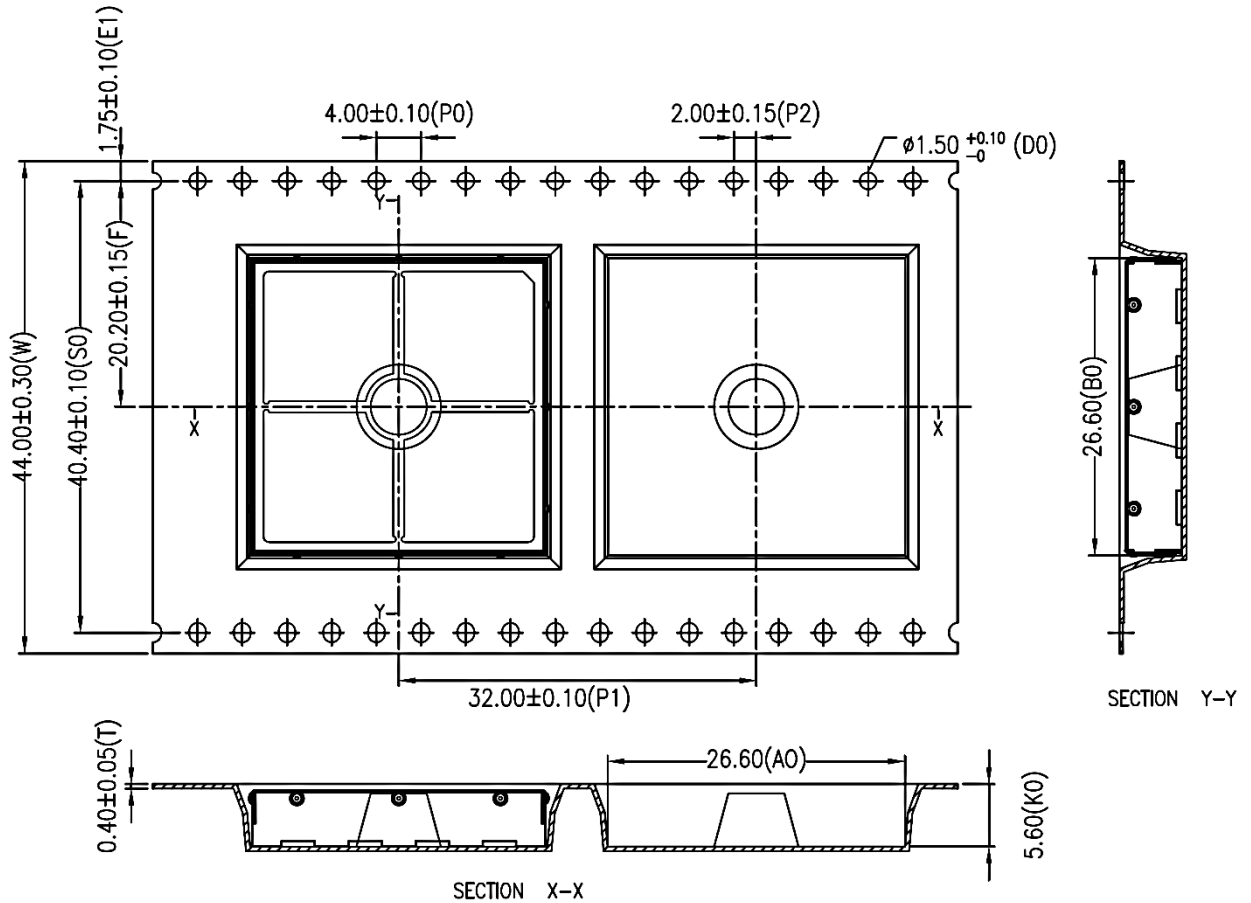
### RECOMMENDED FOOTPRINT (mm)



#### DISCLAIMER

This is only a recommendation based on information available to mtc at the time of printing. Actual land pattern can be significantly different due to various materials and processes used in PCB assembly. mtc makes no representation or warranty of performance based on the recommended land pattern.

**PACKING SPECIFICATION – TAPE AND REEL (mm)**



- Part conforms to EIA-481-D standards.
- Material: conductive polystyrene
- Packing length for 22" reel: 36,0 meters (1:4).
- Component packing to 13" reel: 250 pcs.
- Dimension tolerances:
  - .X±0,20
  - .XX±0,10

	A <sub>0</sub>	B <sub>0</sub>	K <sub>0</sub>
	26,60	26,60	5,60
Tolerance	± 0,10	± 0,10	± 0,10

Modifications and errors excepted. The information and statements herein are believed to be reliable but are not to be construed as a warranty or representation for which we assume legal responsibility. Users should undertake sufficient verifications and testings to determine the suitability for their own particular purpose of any information or products referred to herein.